

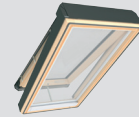
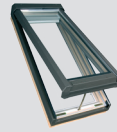


**Features:**

- suitable for roof pitches between 15-85 degrees
- low-emission and heat-reflecting double glazed glass
- warm spacer increases condensation resistance
- perimeter gasket underneath the frame
- double seals between the frame and the sash
- internal gasket system to collect and drain any condensation water to the outside
- mosquito screen included
- integrated rain sensors
- remote control included
- range of internal and external accessories
- equipped with a Z-wave radio control system, allowing for smart home system integration

**TECHNICAL SPECIFICATION**

**Electric Venting Skylight FVE**



**I. APPLICATION**

Installation	required roof pitch 15°-85°
	deck mounted

**II. FEATURES**

Frame material	Pine - Pressure Treated
Frame finish	Two layers of clear acrylic lacquer
Glazing	G31 - Low-E tempered over laminated - double-pane glazing unit with warm TGI spacer and Argon gas
Rain sensor	Automatically closes the skylight in case of rain
Gaskets System	Three rubber gaskets
Control	Remote control (z-wave radio communication)
Warranty	10 years for skylight and glazing, 2 years on electric motor and remote control

**III. TECHNICAL PARAMETERS**

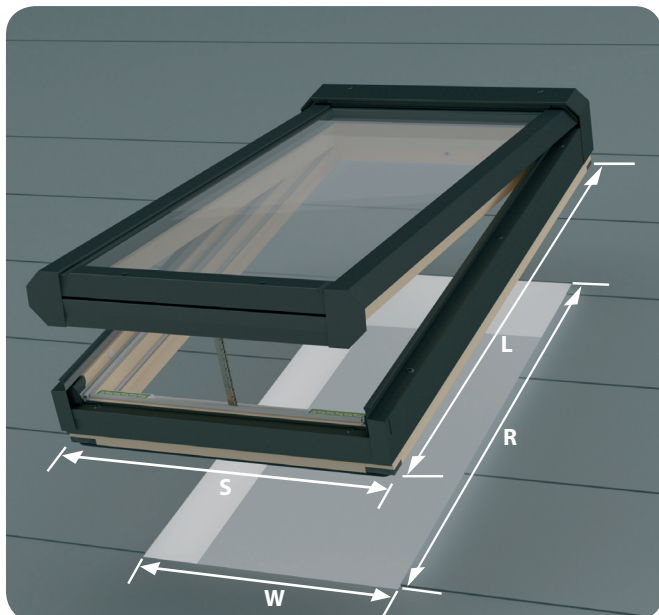
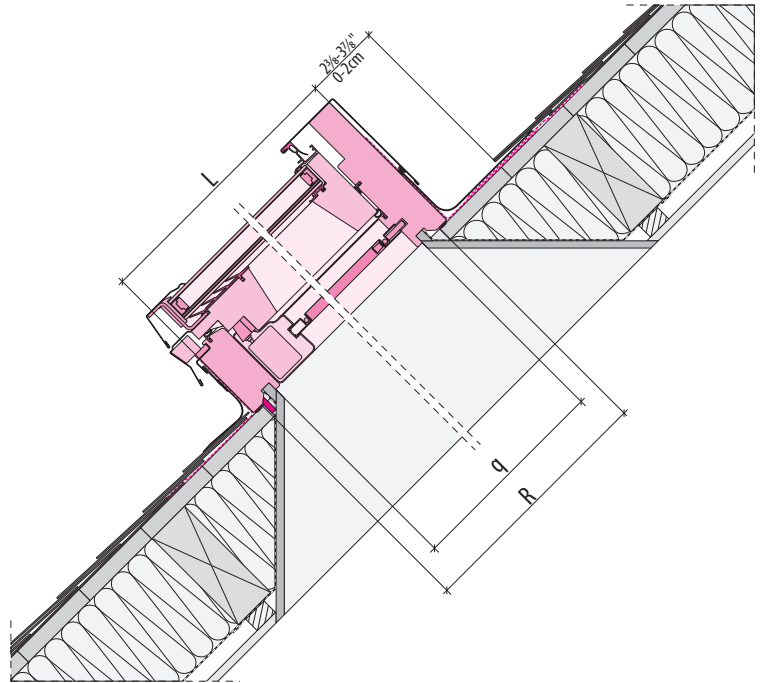
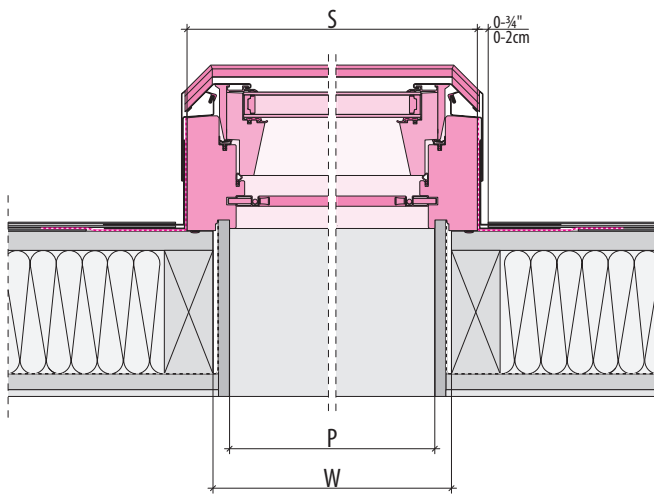
Technical parameters	Glazing unit type	
	Unit	G31
U-factor	[BTU/h ft²F]	0.41
Ug for glazing unit	[BTU/h ft²F]	0.19
Solar Heat Gain Coefficient	-	0.19
Air Leakage	[cfm/ft²] @ 1,57 psf, tested size 24x70	0.04
Visible Transmittance	-	0.36
UV protection	-	99.8
Condensation Resistance	-	65
Water Penetration Resistance Test Pressure	[Pa]	730
Wind load resistance	Class C1/B1	
Impact resistance	Class 3 – 450 mm	

**IV. ADDITIONAL PRODUCTS TO BE USED**

Flashings	- EH - for roof tiles, corrugated metal and standing seam - EL - for shingles and shakes
Ice and Water Guard	- Fakro Euroband or similar self adhesive underlayment
Included mounting accessories	- Bit PZ2 50mm length - Bit PZ3 50 mm length - Nail 2,5x25mm - Base pin - Countersunk head screw 4x30 A2 RAL 7022 - Countersunk head screw 6x200 galvanized PZ3
External accessories	- SMZ solar awning blind
Internal accessories	- SRF blackout blind, SRP light reducing blind

V. DIMENSIONS

Size		301	304	306	308	312	504	506	508	801	806
Rough opening (WxR)	in.	22 <sup>1</sup> / <sub>2</sub> x 26 <sup>1</sup> / <sub>2</sub>	22 <sup>1</sup> / <sub>2</sub> x 37 <sup>1</sup> / <sub>2</sub>	22 <sup>1</sup> / <sub>2</sub> x 45 <sup>1</sup> / <sub>2</sub>	22 <sup>1</sup> / <sub>2</sub> x 54	22 <sup>1</sup> / <sub>2</sub> x 70	30 <sup>1</sup> / <sub>2</sub> x 37 <sup>1</sup> / <sub>2</sub>	30 <sup>1</sup> / <sub>2</sub> x 45 <sup>1</sup> / <sub>2</sub>	30 <sup>1</sup> / <sub>2</sub> x 54	46 <sup>1</sup> / <sub>2</sub> x 26 <sup>1</sup> / <sub>2</sub>	46 <sup>1</sup> / <sub>2</sub> x 45 <sup>1</sup> / <sub>2</sub>
Outside frame (SxL)	in.	24 <sup>1</sup> / <sub>2</sub> x 27 <sup>1</sup> / <sub>2</sub>	24 <sup>1</sup> / <sub>2</sub> x 38 <sup>1</sup> / <sub>2</sub>	24 <sup>1</sup> / <sub>2</sub> x 46 <sup>3</sup> / <sub>8</sub>	24 <sup>1</sup> / <sub>2</sub> x 55	24 <sup>1</sup> / <sub>2</sub> x 70 <sup>3</sup> / <sub>4</sub>	32 <sup>1</sup> / <sub>2</sub> x 38 <sup>1</sup> / <sub>2</sub>	32 <sup>1</sup> / <sub>2</sub> x 46 <sup>3</sup> / <sub>8</sub>	32 <sup>1</sup> / <sub>2</sub> x 55	48 <sup>1</sup> / <sub>2</sub> x 27 <sup>1</sup> / <sub>2</sub>	48 <sup>1</sup> / <sub>2</sub> x 46 <sup>3</sup> / <sub>8</sub>
Daylight area (glass)	sq. ft.	2.58	3.98	4.95	6.03	7.97	5.70	7.10	8.61	5.92	11.41
	m <sup>2</sup>	0.24	0.37	0.46	0.56	0.74	0.53	0.66	0.80	0.55	1.06
Finished opening (pxq)	in.	20 <sup>7</sup> / <sub>8</sub> x 24 <sup>7</sup> / <sub>8</sub>	20 <sup>7</sup> / <sub>8</sub> x 35 <sup>7</sup> / <sub>8</sub>	20 <sup>7</sup> / <sub>8</sub> x 43 <sup>3</sup> / <sub>4</sub>	20 <sup>7</sup> / <sub>8</sub> x 52 <sup>3</sup> / <sub>8</sub>	20 <sup>7</sup> / <sub>8</sub> x 68 <sup>1</sup> / <sub>8</sub>	28 <sup>7</sup> / <sub>8</sub> x 35 <sup>7</sup> / <sub>8</sub>	28 <sup>7</sup> / <sub>8</sub> x 43 <sup>3</sup> / <sub>4</sub>	28 <sup>7</sup> / <sub>8</sub> x 52 <sup>3</sup> / <sub>8</sub>	44 <sup>7</sup> / <sub>8</sub> x 24 <sup>7</sup> / <sub>8</sub>	44 <sup>7</sup> / <sub>8</sub> x 43 <sup>3</sup> / <sub>4</sub>



FAKRO America LLC  
39 W. Factory Road, Addison, IL  
Ph: 630-543-1010 / office@fakrousa.com