

Blackout / Roller Blind



ARF/ARP Z-Wave



| | |
|----------------------------|---|
| IMPORTANT INFORMATION | 3 |
| SIGNALLING DESCRIPTION | 3 |
| PROGRAMMING | 4 |
| ADDITIONAL BLIND FUNCTIONS | 4 |
| MANUAL CONTROL | 4 |
| BLIND CALIBRATION | 4 |
| ADDITIONAL INFORMATION | 5 |
| WARRANTY | 7 |

Dear Sir/Madam! Thank you for purchasing the product from FAKRO. We do hope that it will meet your expectations. To ensure appropriate functioning of the product, please peruse this User Manual.

BLIND DESCRIPTION

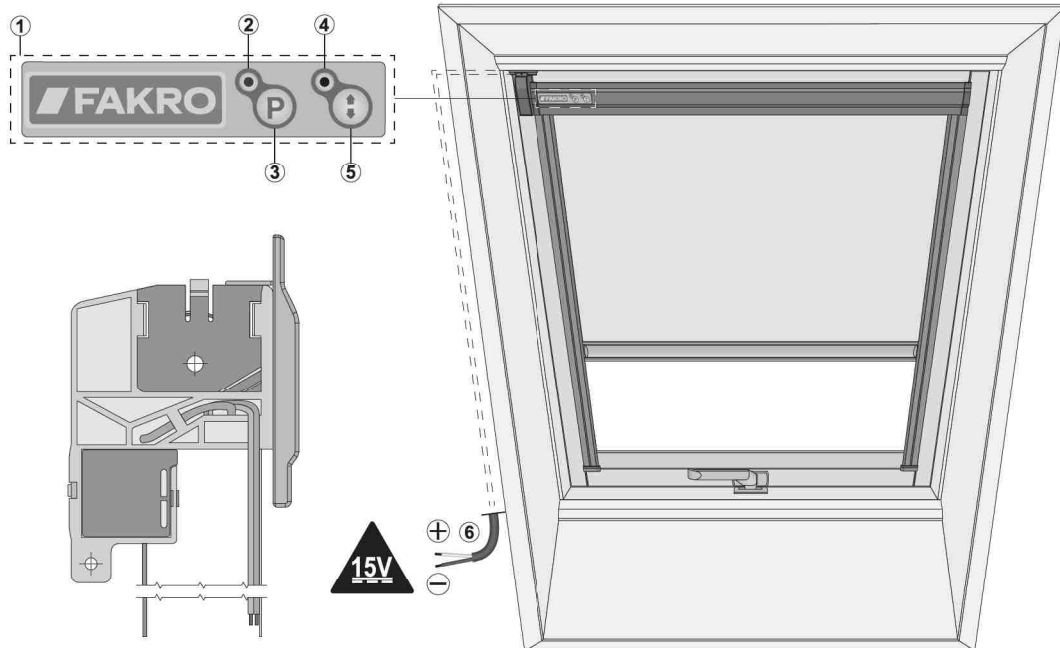
The ARF Z-Wave blackout blind / ARP Z-Wave roller blind is intended for indoor installation on FAKRO roof windows and has been adapted to cooperate with elements of the Z-Wave remote control. The blind is equipped with two-way Z-Wave radio communication module with frequency depending on part of the world.

The ARF/ARP Z-Wave blind comes with two protections:

- at blind's fabric maximally unfolded (overload)
- at blind's fabric maximally folded (limit switch)

To be able to operate the device, it is required to install it following the picture installation instructions included in the product packaging. Subsequently, the blind should be programmed to one of remote controls / controllers offered by FAKRO or any other controller of other manufacturer equipped with the Z-Wave module. Below there is presented a general view of the ARF/ARP Z-Wave blind with description of available buttons and signalling.

Available programming buttons (P) and manual control buttons (arrow up-down) and signalling are to be found on the left side of the cassette cover.



BLIND DESCRIPTION

| | | | |
|---|-------------------------------|---|------------------------------|
| ① | Control panel | ④ | Motor working status (LED 2) |
| ② | Z-Wave network status (LED 1) | ⑤ | Manual control button |
| ③ | Programming button | ⑥ | Power cable |

TECHNICAL SPECIFICATION

Power supply:

15V DC

Power:

13W

Motor rotational speed:

40 rpm

Power cable:

 2 x 0.25 mm²
Reach:

Up to 20m in a building

Radio protocol:

Z-Wave

Frequency:

EU – 868,4 MHz

AS/NZ - 921,42 MHz

US/Canada - 908,4 MHz

RU - 869 MHz

KR - 919-923MHz

JP - 922-926MHz

(depending on version)

IMPORTANT INFORMATION

Please read carefully user manual before proceeding to product operation in order to ensure its proper functioning!

Please read carefully the instructions below before proceeding to the device installation so as to prevent electric shock, injury, etc.

When installing electric blind, it is required to observe the following recommendations:

- After unpacking, check the blind elements for any signs of mechanical damage.

- Installation should be performed by a qualified person in accordance with manufacturer's instructions.

- Before connecting the blind make sure that the power supply corresponds with the voltage specified on the data plate.

- Connect the blind (2-wire cable – 15V DC) and check its correct operation with one working cycle using manual control button.

- Plastic containers used for packing should be stored out of children reach as they may be a potential source of danger.

- The blind should be used according to its intended design. FAKRO shall not be responsible for any consequences being the result of improper blind use.

- Any activities relating to cleaning, adjustment or dismantling the blind should be preceded with disconnecting the power supply.

- The blind cannot be washed using solvent-based substances or open stream of water (do not immerse in water).

- Any repairs of the blind should be carried out by service authorised by the manufacturer.

- The blind is intended for indoor installation.

SIGNALLING DESCRIPTION



Cause 1: the blind reached upper extreme position.

Cause 2: current consumed by the motor is too low. In case of problems with operating please contact FAKRO Service Dept.



Cause 1: the blind reached lower extreme position.

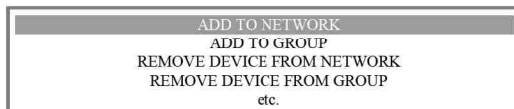
Cause 2: current consumed by the motor is too high. In case of problems with operating please contact FAKRO Service Dept.



The device has not been assigned to any Z-Wave network – remote control is not possible. This LED is always on when power is connected to a brand new blind. It goes off after adding the device to the Z-Wave network.

PROGRAMMING

For programming information, refer to the Z-Wave controller's user manual which is intended to control the blind.



Run selected function on the Z-Wave controller.



Press the programming button on the blind in time specified by the controller.

- i** - Controller is assigned to the Z-Wave network - programming LED is off.
- Controller is not assigned to the Z-Wave network - programming LED is on.

i ASSIGNING THE BLIND TO THE Z-WAVE NETWORK WITHOUT USING PROGRAMMING BUTTON:

1. Within 20 seconds reset the power supply three times.
2. Within 10 minutes run ADD TO NETWORK function on the PRIMARY controller.

ADDITIONAL BLIND FUNCTIONS

COOPERATION OF DEVICES OFFERED BY DIFFERENT MANUFACTURERS - The Z-Wave allows to integrate devices of different manufacturers which can work in different groups: lighting, heating, domestic automatic control, etc. The Z-Wave devices operate as repeaters in the network, thus increasing reach of radio communication. The more devices in the network, the more reliable and more resistant to interference is performance of devices within the network.

ALL ON / ALL OFF – Turning on this function enables simultaneous control of all devices. This function is available if supported by the controller.

MANUAL CONTROL



Control the blind by pressing MANUAL CONTROL BUTTON.

- i** The button works in sequential mode: 1. Start, 2. Stop, 3. Start in the opposite direction, 4. Stop, 1. Start...

BLIND CALIBRATION

The blind is factory calibrated. In addition, the calibration is repeated every time the blind completes full work cycle. In the event of large discrepancy between the specified and reported position, it is required to force full work cycle of the blind (full opening and closing).

ADDITIONAL INFORMATION

ASSOCIATION GROUPS

1. Life Line – group for reporting the position of the awning blind after each stop and receiving information about the alarm (overload, damaged encoders). A maximum of 1 device can be in the group.
2. Basic Repeat – group used for sending received commands to devices belonging to this group.
A maximum of 5 devices can be in the group.
3. Multilevel Repeat – group used for sending received commands to devices belonging to those groups.
A maximum of 5 devices can be in the group.

Z-WAVE CONFIGURATION PARAMETRES

| Parameter no. | Value | Default value | Size | Description |
|---------------|---------------|---------------|------|--|
| 13 | 1 2 | 1 | 1 | 1 – FF go to maximum 2 – FF go to previous position |
| 72 | 1 . 255 | 125 | 1 | Time from magnet detection to motor shutdown [ms] |
| 99 | 1 2 | 1 | 1 | 1 – restoring all parameters to factory settings. If there is no. 2 in the report it means that one of the parameters has a value different than the default one |

ALARMS AND NOTIFICATIONS

| Notification type | Event |
|-------------------|--|
| Energy management | Overload |
| System | System device failure (defective encoders) |

COMMAND CLASSES

| Command Classes | Role | |
|---|---------|---------|
| | Support | Control |
| Command Class Z-Wave+ Info v2 | ok | |
| Command Class Basic v1 | ok | ok |
| Command Class Version v2 | ok | |
| Command Class Manufacturer Specific v2 | ok | |
| Command Class Device Reset Locally v1 | ok | |
| Command Class Association v2 | ok | |
| Command Class Association Group Info v1 | ok | |
| Command Class Powerlevel v1 | ok | |
| Command Class Switch Binary v1 | ok | |
| Command Class Switch Multilevel v3 | ok | ok |
| Command Class Switch All v1 | ok | |
| Command Class Configuration v1 | ok | |
| Command Class Notification v3 | ok | |
| Command Class Node Naming v1 | ok | |
| Battery v1 | ok | |

MANUFACTURER SPECIFIC REPORT

| Parameter | Value |
|------------------|--------------|
| Manufacturer ID | 0x0085 |
| Product Type ID | 0x0004 |
| Product ID | 0x0011 |

WARRANTY

The manufacturer guarantees correct device functioning. The Manufacturer is the only body which decides about its liability under the warranty and the way of investigating the claim. In case the Manufacturer accepts legitimacy for the reported defect, he may, at his own discretion:

- repair the defective product;
- replace the product for a product free of defects, although not necessarily identical, but a product of the same type, model and quality;
- return the value of the defective product according to its purchase price, while the customer is required to return the product.

The warranty period is 24 months from the date of purchase, fulfilling the following conditions:

- Installation has been performed in accordance with the manufacturer's recommendations.
- Seals remain intact and no unauthorised structural changes have been made.
- The device has been used in accordance with its intended use as per user manual.
- Damage is not a result of improperly made electrical system or atmospheric phenomena.
- The manufacturer is not liable for damage which occurred as a result of improper use or mechanical damage.

In case of failure, the device must be submitted for repair with a Warranty Card. Within 14 days of the date of receipt of the defective product, the manufacturer will inform whether he has accepted the claim, or whether he will refuse to recognize the claim and provide the grounds for the refusal. Warranty and post-warranty repairs are performed by the manufacturer i.e. FAKRO Sp. z o.o.

Detailed warranty terms and conditions are to be found in the Warranty Card.

Fakro Sp. z o.o.
ul. Węgierska 144A, 33-300 Nowy Sącz, PL
tel. +48 18 4440444, fax +48 18 4440333
www.fakro.com

Quality certificate:

Device

Model

Serial number

Seller

Address

Purchase date

Invoice No.

Signature (stamp) of person installing a device

